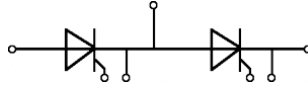


Thyristor module PSKT 1010M

$I_{T(RMS)} = 2x 1570 A$
 $I_{T(AV)} = 2x 1000 A$
 $V_{RRM} = 800-1800 V$

Preliminary Data Sheet

V_{RSM} V	V_{RRM} V	Type
900	800	PSKT 1010M/08
1100	1000	PSKT 1010M/10
1300	1200	PSKT 1010M/12
1500	1400	PSKT 1010M/14
1700	1600	PSKT 1010M/16
1900	1800	PSKT 1010M/18



Symbol	Test Conditions	Maximum Ratings
$I_{T(RMS)}$	$T_{VJ} = 125^{\circ}C$	half sine 1570 A
$I_{T(AV)}$	$T_C = 85^{\circ}C$	1000 A
I_{TSM}	$T_{VJ} = 125^{\circ}C$ t = 10 ms	half sine 28000 A
$\int i^2 dt$	$T_{VJ} = 125^{\circ}C$ t = 10 ms	half sine 3920 A ² s*10 ³
$(di/dt)_{cr}$	$T_{VJ} = 125^{\circ}C$ t _r ≤ 0,5μs	gate source 1,5A 200 A/μs
$(dv/dt)_{cr}$	$T_{VJ} = 125^{\circ}C$ V _{DM} =2/3V _{DRM}	1000 V/μs
T_{VJ}		-40 ... + 125 °C
T_{VJM}		125 °C
T_{stg}		-40 ... + 125 °C
V_{ISOL}	50 HZ, RMS t = 1 min I _{ISOL} ≤ 1 mA	min. 3000 V ~
M_d	Terminal connection torque (M12)	14,0 Nm
	Mounting torque (M8)	12,0 Nm
Weight	typ.	3660 g

Features

- Isolated mounting base 3000V~
- Pressure contact technology with increased power cycling capability

Applications

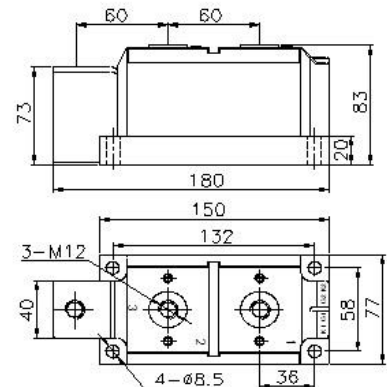
- AC/DC Motor drives
- Various rectifiers
- DC supply for PWM inverter

Advantages

- Easy to mount
- Space and weight savings
- Improved temperature and power cycling capability

Package, style and outline

Dimensions in mm (1mm = 0.0394")



Symbol	Test Conditions	Characteristic Value
$I_{RRM}; I_{DRM}$	$V_R = V_{RRM}$ $T_{VJ} = 125^{\circ}C$ $V_D = V_{DRM}$	≤ 55 mA
V_{TM}	$I_{TM} = 3000 A$ $T_{VJ} = 25^{\circ}C$	≤ 1,96 V
V_{TO}	For power-loss calculations only	0,8 V
r_T	$T_{VJ} = 125^{\circ}C$	0,15 mΩ
I_{GT}		30-200 mA
V_{GT}	$V_A = 12 V$ $T_{VJ} = 25^{\circ}C$ $I_A = 1 A$	1,0-3,0 V
I_H		20-200 mA
V_{GD}	$V_{DM} = 2/3V_{DRM}$ $T_{VJ} = 125^{\circ}C$	0,2 V
$R_{th(j-c)}$	Per chip; Single side cooled	0,034 °C/W