

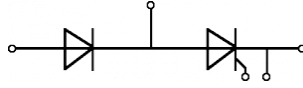
## Thyristor/Diode module

## PSKH 162M

$I_{T(RMS)} = 2x 251 A$   
 $I_{T(AV)} = 2x 160 A$   
 $V_{RRM} = 800-1800 V$

### Preliminary Data Sheet

$V_{RSM}$ V	$V_{RRM}$ V	Type
900	800	PSKH 162M/08
1100	1000	PSKH 162M/10
1300	1200	PSKH 162M/12
1500	1400	PSKH 162M/14
1700	1600	PSKH 162M/16
1900	1800	PSKH 162M/18



Symbol	Test Conditions	Maximum Ratings
$I_{T(RMS)}$	$T_{VJ} = T_{VJM}$	251 A
$I_{T(AV)}$	$T_C = 85^\circ C$	160 A
$I_{TSM}$	$T_{VJ} = 125^\circ C$ $t = 10 \text{ ms}$ half sine	6000 A
$\int i^2 dt$	$T_{VJ} = 125^\circ C$ $t = 10 \text{ ms}$ half sine	180 $A^2 s \cdot 10^3$
$(di/dt)_{cr}$	$T_{VJ} = T_{VJM}$ $t_r \leq 0,5 \mu s$ gate source 1,5A	200 $A/\mu s$
$(dv/dt)_{cr}$	$T_{VJ} = T_{VJM}$ $V_{DM} = 2/3 V_{DRM}$	1000 $V/\mu s$
$T_{VJ}$		-40 ... + 125 $^\circ C$
$T_{VJM}$		125 $^\circ C$
$T_{stg}$		-40 ... + 125 $^\circ C$
$V_{ISOL}$	50 HZ, RMS $I_{ISOL} \leq 1 \text{ mA}$ $t = 1 \text{ min}$	min. 3000 V ~
$M_d$	Terminal connection torque (M6) Mounting torque (M6)	6,0 Nm 6,0 Nm
Weight	typ.	285 g

### Features

- Isolated mounting base 3000V~
- Pressure contact technology with increased power cycling capability

### Applications

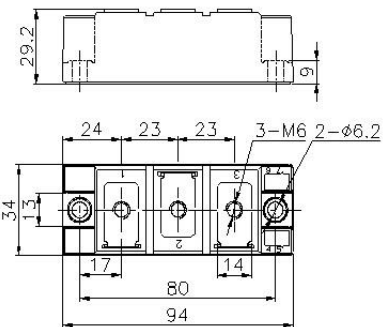
- AC/DC Motor drives
- Various rectifiers
- DC supply for PWM inverter

### Advantages

- Easy to mount with two screws
- Space and weight savings
- Improved temperature and power cycling capability

### Package, style and outline

Dimensions in mm (1mm = 0.0394")



Symbol	Test Conditions	Characteristic Value
$I_{RRM}; I_{DRM}$	$V_R = V_{RRM}$ $V_D = V_{DRM}$ $T_{VJ} = 125^\circ C$	$\leq 15 \text{ mA}$
$V_{TM}$	$I_{TM} = 480 A$ $T_{VJ} = 25^\circ C$	$\leq 1,70 \text{ V}$
$V_{TO}$	For power-loss calculations only	0,80 V
$r_t$	$T_{VJ} = T_{VJM}$	1,69 $m\Omega$
$I_{GT}$		30-150 mA
$V_{GT}$	$V_A = 12 V$ $I_A = 1 A$ $T_{VJ} = 25^\circ C$	1,0-2,5 V
$I_H$		20-150 mA
$V_{GD}$	$V_{DM} = 2/3 V_{DRM}$ $T_{VJ} = 125^\circ C$	0,2 V
$R_{th(j-c)}$	Per chip; Single side cooled	0,17 $^\circ C/W$